

MANUFACTURER: HAWORTH
SERIES NAME: ENHANCED PREMISE
MODEL #: LACCD SEG
BASE BID UNIT PRICE: \$3544.19

TO ORDER CONTACT:
DEALER CONTACT: UNISOURCE SOLUTIONS
NAME: Michael Patrick
PHONE: (818) 256-4523
EMAIL: mpatrick@unisourceit.com

SIZE & COMPONENTS:

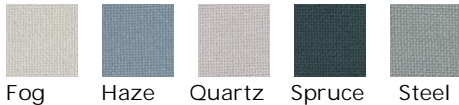
8x8 Single Workstation

**Stackable Panel System with Fabric Panels, Painted Steel Topcap and Trim, Laminate Worksurfaces
2-high Lateral File with Lock, Box Box File Pedestal with lock, 8" Overhead Storage Bins Steel Locking
with Task Lights, Paper Management, Bar with Tools panel hung, Keyboard Tray**

FABRICS & FINISHES:

FABRICS: (Additional Fabrics available upon request)

ESSENTIAL:



Fog Haze Quartz Spruce Steel

OHIO:



Dillon Erie Liberty Magee Marsh Sycamore

TRIM:



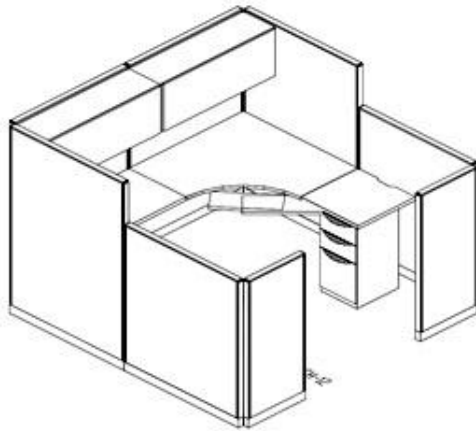
Beige Charcoal Graphite Gray Tone

LAMINATES:



Arid Dots Cherry Beige Black Charcoal Frost Dots Graphite Grey Tone Light Oak Maple Medium

***For additional finishes see Dealer Contact.**



MANUFACTURER: HAWORTH
SERIES NAME: UNIGROUP TOO
MODEL #: LACCD MONO
BASE BID UNIT PRICE: \$3164.96

TO ORDER CONTACT:
DEALER CONTACT: UNISOURCE SOLUTIONS
NAME: Michael Patrick
PHONE: (818) 256-4523
EMAIL: mpatrick@unisourceit.com

SIZE & COMPONENTS:

8x8 Single Workstation

Monolithic Panel System with Fabric Panels, Painted Steel Topcap and Trim, Laminate Worksurfaces

2-high Lateral File with Lock

1 Box Box File Pedestal with lock

48" Overhead Storage Bins Steel Locking with Task Lights

Paper Management Bar with Tools panel hung

Keyboard Tray

FABRICS & FINISHES:

FABRICS: (Additional Fabrics available upon request)

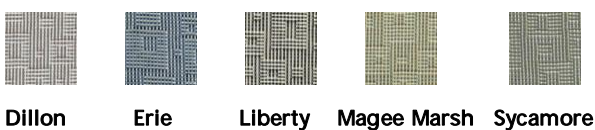
ESSENTIAL:



IOWA:



OHIO:

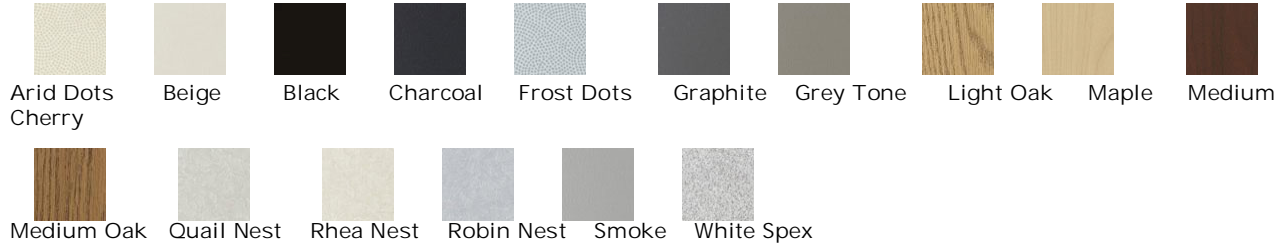




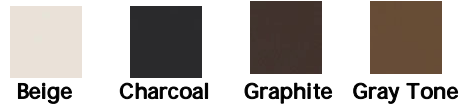
STRIAE:



LAMINATES:



TRIM:



*For additional finishes see Dealer Contact.