

MANUFACTURER: IOPC  
SERIES NAME: KITCHEN  
MODEL #: MULTIPLE COMPONENTS PER  
REQUIREMENTS  
\*BASE BID UNIT PRICE: \$2519.81

TO ORDER CONTACT:  
DEALER: SCHOOL SPECIALTY  
NAME: ROBERT BLAIR  
PHONE: 951-445-1491  
EMAIL: [rblair@schoolspecialty.com](mailto:rblair@schoolspecialty.com)

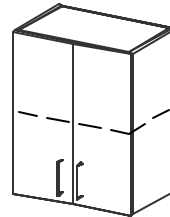
**SIZE & COMPONENTS:**

Wall Cabinet - Hinged Doors & Shelf

MWC 20C

15 3/4" D x 30"H x 23 5/8"W

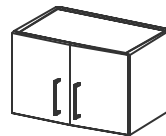
Interior Shelf Adjustable on 1 1/4" levels



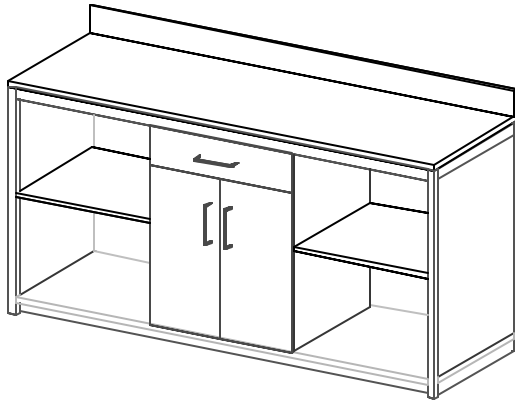
Wall Cabinet - Hinged Doors

MWC 25CS

15 3/4"D x 15"H x 29 9/16"W



\*Price inclusive of Delivery, Set-Up and Sales Tax.



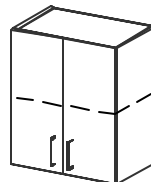
MANUFACTURER: IOPC  
SERIES NAME: COPY ROOM  
MODEL #: MULTIPLE COMPONENTS PER  
REQUIREMENTS  
\*BASE BID UNIT PRICE: \$2371.82

TO ORDER CONTACT:  
DEALER: SCHOOL SPECIALTY  
NAME: ROBERT BLAIR  
PHONE: 951-445-1491  
EMAIL: [rblair@schoolspecialty.com](mailto:rblair@schoolspecialty.com)

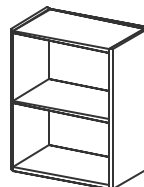
**SIZE & COMPONENTS:**

A. Base Cabinet / Copy Counter (above)  
MCC6 2436 GC BS  
24"D x 36"H x 70 7/8"W  
Backsplash @ 4"H x 70 7/8"W

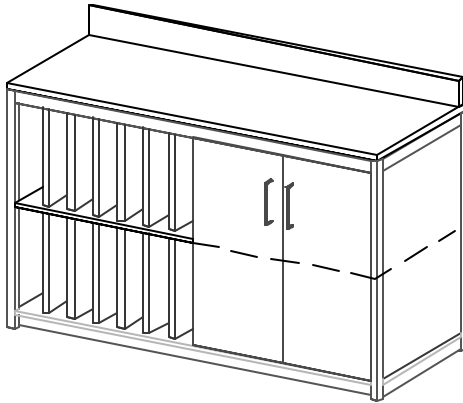
B. Wall Cabinet - Hinged Doors & Shelf  
MWC 20C  
15 3/4" D x 30"H x 23 5/8"W  
Interior Shelf Adjustable on 1 1/4" levels



C. Wall Cabinet - Open Front & Shelf  
MWC 20B  
15 3/4"D x 30"H x 23 5/8"W  
Interior Shelf Adjustable on 1 1/4" levels



\*Price inclusive of Delivery, Set-Up and Sales Tax.



MANUFACTURER: IOPC  
SERIES NAME: MAIL ROOM  
MODEL #: MULTIPLE COMPONENTS PER REQUIREMENTS  
\*BASE BID UNIT PRICE: \$4787.78

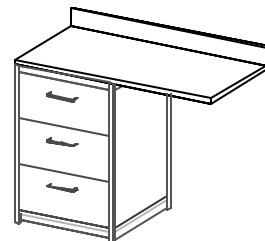
TO ORDER CONTACT:  
DEALER: SCHOOL SPECIALTY  
NAME: ROBERT BLAIR  
PHONE: 951-445-1491  
EMAIL: [rblair@schoolspecialty.com](mailto:rblair@schoolspecialty.com)

**SIZE & COMPONENTS:**

- A. Base Cabinet - Vertical Slots & Storage Bay, (above)  
Backsplash  
MMC5 - 2436 VC BS  
24"D x 36"H x 59 1/6"W  
14 vertical slots @ 2" wide x 15" high  
Hinged door storage bay on right side  
Overhang top @ 68 5/8" wide x 24" deep  
Backsplash @ 4" high x 47 1/4" wide  
Storage bay with adj. shelf on 1 1/4" levels

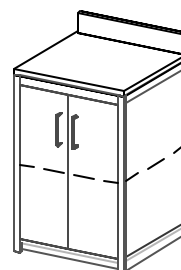
- B. Base Cabinet - Drawers & Backsplash

MMC2 - 2436 DW BS  
  
24"D x 36"H x 23 5/8"W  
Overhang top @ 42" wide for 18" knee space  
Backsplash @ 4" high x 47 1/4" wide



- C. Base Cabinet - Hinged Doors & Shelf, Backsplash

MMC2 - 2436 C IS  
24"D x 36"H x 23 5/8"W  
Backsplash @ 4" high x 22 7/8" wide  
Shelf adjusts on 1 1/4" levels





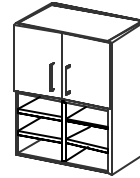
**D. Storage Cabinet - Open Front**

**MMS2 - 2484IS5**  
**24"D x 84"H x 24"W**  
**6 interior shelves (4 adjustable)**



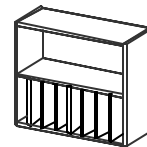
**E. Wall Cabinet - Hinged Doors & Slots**

**MWC 20C SH6**  
**15 3/4"D x 30"H x 23 5/8"W**  
**6 horizontal slots @ bottom**  
**10 1/2"W x 4"H x 14"D**



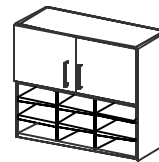
**F. Wall Cabinet - Open with Slots**

**MWC 30 B S8V**  
**15 3/4"D x 30"H x 35 7/16"W**  
**Open storage in top 14"D x 14"H x 34"W**  
**8 vertical slots in bottom @ 3 1/2" wide x 14" high**



**G. Wall Cabinet - Hinged Doors & Slots**

**MWC 30C S9**  
**15 3/4" D x 30"H x 35 7/16"W**  
**Closed storage in top 14"D x 14"H x 34"W**  
**9 horizontal slots in bottom @ 10 1/2" W x 4" H x 14" D**



**\*Price inclusive of Delivery, Set-Up and Sales Tax.**